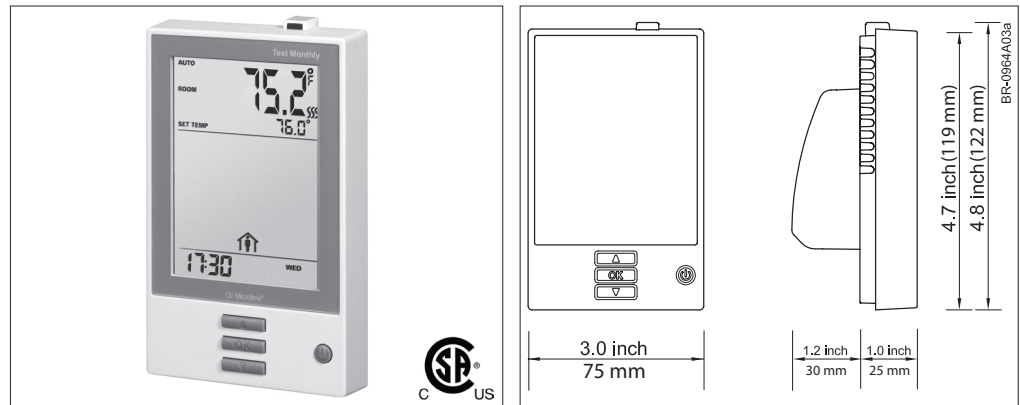


Data Sheet

LX Programmable Thermostat for Electric Floor Heating Applications

General Information



Developed for the modern home, the LX programmable thermostat offers maximum comfort and a stylish design. The installation design of the thermostat has been carefully thought through ensuring quick and easy installation.

- Large backlit display for easy programming
- Simple to program with intuitive on-screen menus
- Pre-programmed for quick setup
- Monitored energy consumption
- Four-event seven-day ENERGY SAVING programming
- Dual voltage: 120V or 240V
- Output relay: 15A
- Class A GFCI for maximum safety
- Easily upgrade older model LX thermostats

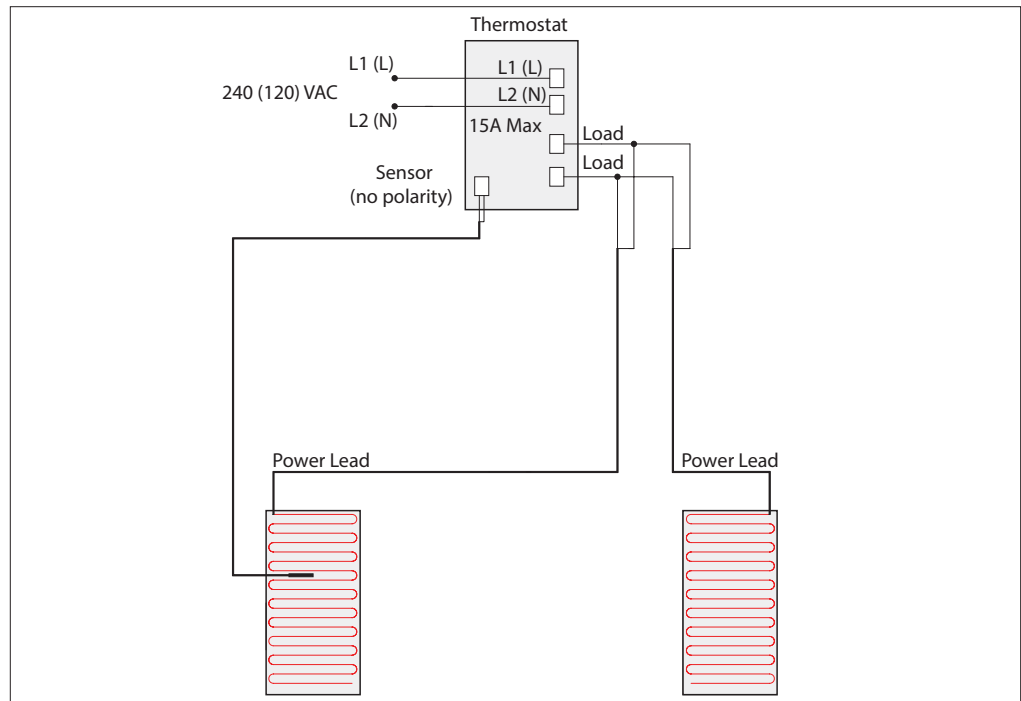
c-UL-us according to the following standards:

Thermostat:	UL 873 CSA C22.2 No. 24
UL-E file:	E157297
GFCI:	UL 943 CSA C22.2, No. 144. 1-06

Technical Data

Supply:	120/240 VAC, 50/60 Hz
Max. Load:	15A maximum (resistive load)
Power:	1800W at 120 VAC / 3600 at 240 VAC
GFCI:	Class A (5 mA trip level)
Temperature Range:	41°F to 104°F (5°C to 40°C)
Floor Limit Range:	41°F to 104°F (5°C to 40°C)
Ambient Temp. Range:	32°F to 104°F (0°C to 40°C)
Clock Function:	4-event program
On/Off Differential:	0.7°F (0.4°C)
Regulation Principle:	PWM / PI
Housing:	NEMA 2 (IP21)
Floor Sensor Type:	NTC (12 KΩ) 10 ft. (3 m)
Dimensions (HxWxD):	4.8" x 3.0" x 1.0" (123mm x 75mm x 25mm)

Typical Application



Ordering Information

Part No.	Description
088L5130	LX Programmable Thermostat with Floor Sensor

Applications

Products in this data sheet are for use with these Danfoss mats and cables:

Danfoss Electric Heating Products	
LX Electric Floor Heating Mats and Cables	
TX-FH Floor Heating Cables	
TX-SH Storage Heating Cables	

Accessories

Part No.	Description
088L5135	Power Module with GFCI
088L3450	Single Contactor, 600V Max (120V Coil Voltage)
088L3451	Single Contactor, 600V Max (208V-240V Coil Voltage)

Warranty

Danfoss offers a two year limited warranty covering defects in workmanship and materials.

Temp | Humidity | Pressure | Differential Pressure | Vacuum | Gases | Particle | Air Flow
 Moisture | Dissolved Oxygen | Radiation | Air Quality | Light / Lux | Distance | Vibration