

Differential Pressure Switches DPS Series

FOR AIR CONDITIONING / VENTILATION, USER-ADJUSTABLE

PRODUCT DATA AND INSTALLATION INSTRUCTIONS



TECHNICAL SPECIFICATIONS

Max. operating pressure	10 kPa
Pressure media	air, non-flammable gases, and non-aggressive gases
Pressure connections	two plastic tubes, outside diameter: 6.0 mm
Switching capacity	1.5 A, (0.4) /250 Vac
Electrical connections	AMP connectors, 6.3 x 0.8, DIN 46244 or screw terminals
Conduit entry	M20x1.5
Protection class	IP 54
Mounting lugs	integrated in bottom housing (alternative: mounting angles)
Medium/ambient temp.	-20...+85 °C
Storage temperature	-40...+85 °C
Membrane material	silicone

APPLICATION

Differential pressure switches e.g. for monitoring filter, fan, fire damper, or air flow status of air handling systems.

BENEFITS

- Switching-point easily adjustable with scale in Pascal;
- Direction of M20x1.5 conduit entry can be rotated in steps of 120°;
- Only one screw needed for housing cover.

APPROVALS

- CE according to 2014/35/EU.
- EC Gas Appliance Directive 2009/142/EC according to DIN EN 1854: 2010.
- ROHS 2011/65/EC.



- (Eurasian Conformity)



CONTENTS OF DELIVERY

The delivery includes (in the case of individual packages) the following parts:

- **1 DPS Differential Pressure Switch**
- **1 Data Sheet with installation information**
- **1 DPDA duct kit, consisting of:**
 - 2 m of flexible plastic hosing
 - 2 joining pipes with four screws
 - 2 self-tapping screws for mounting the housing
 - 3 terminal screws for electrical installation

Bulk packages available, upon request.

OPERATING RANGES

type	adjustment range for upper trip pressure*	switching difference (hysteresis)	reproducibility of switching pressure
DPS200	20...200 (Pa)	10 (Pa)	±5% (min. 5 Pa)
DPS400	40...400 (Pa)	20 (Pa)	±5% (min. 5 Pa)
DPS500	50...500 (Pa)	20 (Pa)	±2.5% (min. 5 Pa)
DPS1000	200...1000 (Pa)	100 (Pa)	±1%
DPS2500	500...2500 (Pa)	150 (Pa)	±1%

*The trip pressure refers to vertical mounting. In case of horizontal mounting (with the cover pointing upwards), the range values increase by 20 Pa.

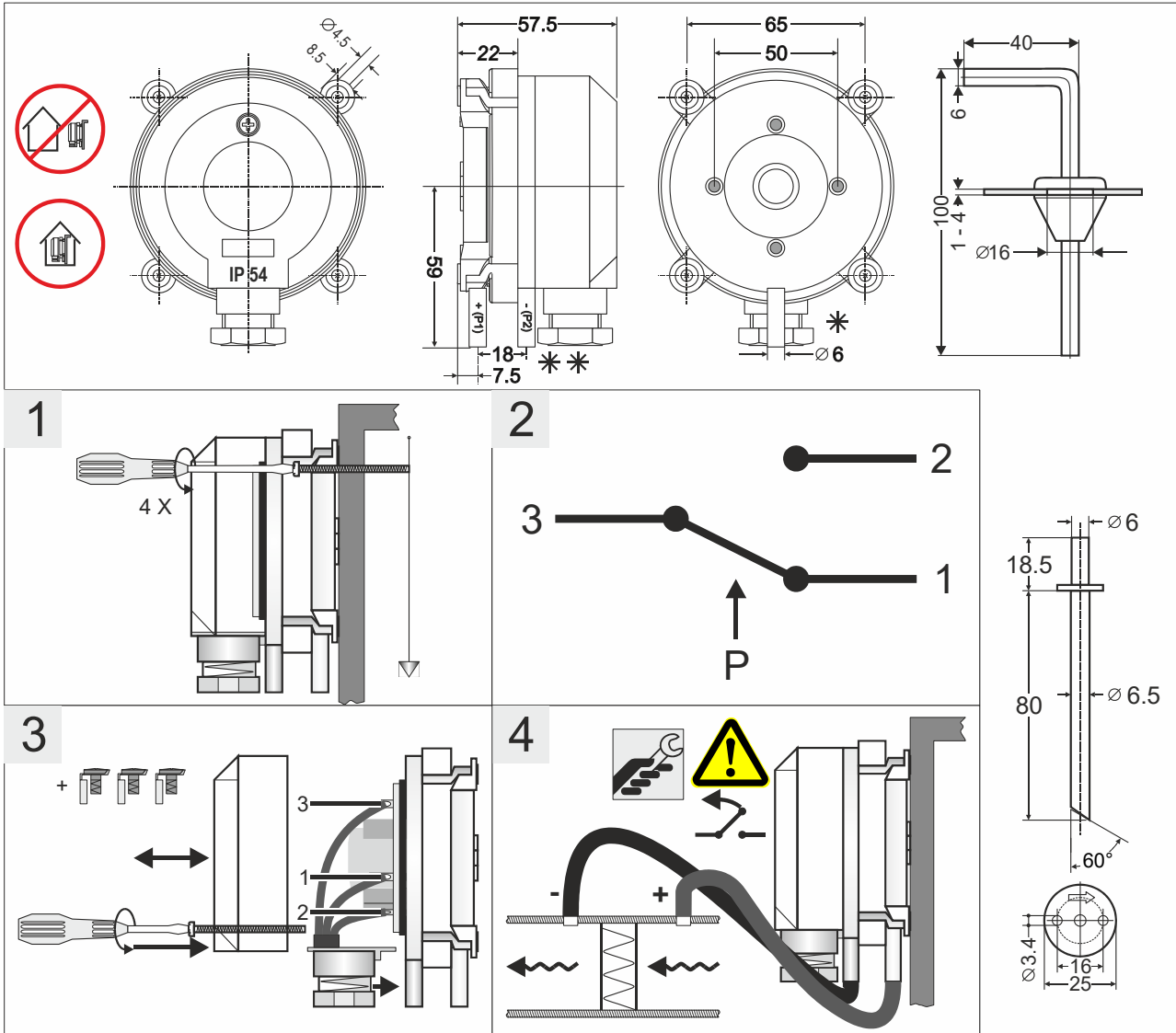
DIMENSIONS

See "Mounting/Einbau/Montage" on page 4.

ACCESSORIES / DELIVERY OPTION

- DPST: Set of three screw terminals
- DPSJ: Joining pipe (part of DPDA duct kit)
- DPS...B in bulk pack (45 pc. per box), without accessories, but with 1 set of Mounting Instructions

MOUNTING/EINBAU/MONTAGE



- P1 = higher pressure = höherer Druck = pression haute
- P2 = lower pressure = niedrigerer Druck = pression basse
- *Use two screws, only, for mounting lugs!
- *Zur Befestigung nur zwei Schrauben verwenden!
- * N'utiliser que deux vis pour le montage.
- ** Remove transport protection from P2!
- ** Transportkappe von P2 entfernen!
- ** Enlever le couvercle de transport de P2.

- NOTE:** Do not install upside down with trip pressures of less than 50 Pa!
- HINWEIS:** Bei einem Schaltdruck von weniger als 50 Pa darf das Gerät nicht über Kopf montiert werden!
- NOTICE:** Ne pas installer à l'envers si la pression de commutation!

Temp | Humidity | Pressure | Differential Pressure | Vacuum | Gases | Particle | Air Flow
 Moisture | Dissolved Oxygen | Radiation | Air Quality | Light / Lux | Distance | Vibration

Instrukart

Ph : +91 (40)40262020 | Mob : +91 88865 50506;
 Email : info@instrukart.com | www.instrukart.com
 Head Office: #18,Street-1A, Czech Colony, Sanath Nagar, Hyderabad -500018, INDIA.

