

## HCMD5B1 Series of Carbon Monoxide Detector



The HCMD5B1 Series carbon monoxide detector uses a superior electrochemical sensing element with state-of-the-art digital linearization circuitry in a compact wall mount ABS enclosure to detect CO levels. It provides a linear analog signal output of 4-20 mA (Loop-powered with 24 Vdc) signal or optional Modbus communications. An optional alarm relay are available.

### APPLICATIONS

The HCMD5B1 series carbon monoxide detector is designed for use with electronic controllers in domestic or commercial heating and cooling systems.

### FEATURES

- Electrochemical sensing element
- 0-300 PPM (Analog) or 0-500 PPM (Modbus)
- Loop-powered 4-20 mA output
- Optional adjustable alarm relay
- Optional Modbus communications
- Compact ABS enclosure

### SPECIFICATIONS

Sensor Type:.....Electrochemical  
Measurement Range:.....Analog: 0-300, Modbus: 0-500 PPM  
Accuracy:.....±5 PPM or 5% of reading (whichever is greater)  
Accuracy rated:.....0° to 50°C (32° to 122°F), 15 to 95% RH  
Life Expectancy:.....5-7 years in air  
Typical Coverage Area:.....700 m<sup>2</sup> (7500 ft<sup>2</sup>) or 15 m (50 ft) radius  
Operating Conditions:.....-20° to 50°C (-4° to 122°F), 15 to 95% RH,  
Sample Method:.....Diffusion  
Stability:.....<5% signal loss/year  
Response Time:.....<35 seconds for 90% step change  
Wiring Connections:.....Screw terminal block (14 to 22 AWG)  
External Dimensions:.....71 x 104 x 46mm (2.8" w x 4.1" h x 1.8" d)  
Enclosure Ratings:.....ABS - UL94-V - IP65 (NEMA 4X)  
Sensor Agency Approvals:..Sensor is UL Recognized Component for ANSI/UL-2034, UL-2075,

#### Non Relay Model:

Power Supply:.....**Analog:** 24 Vdc ± 20% or 24 Vac ± 10%  
**Modbus:** 24 Vdc ± 20%

Consumption:.....**Analog:** 20 mA max.  
**Modbus:** 35 mA max.

Output Signal:.....4-20 mA (Loop-powered with 24 Vdc)  
Output Drive at Capability:..550 ohms max. @ 24 Vac/dc

#### Relay Model: (Not available with Modbus Communications)

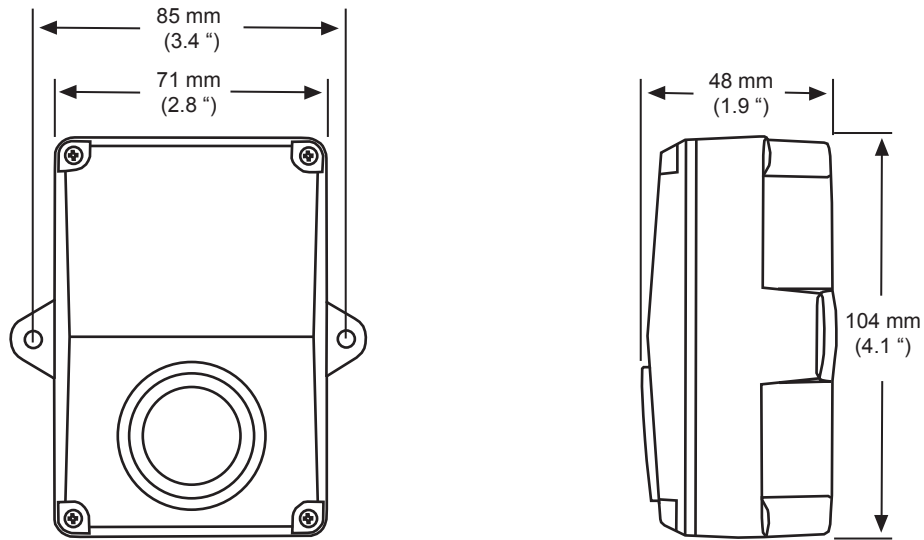
Power Supply:.....24 Vdc ± 20% or 24 Vac ± 10%  
Consumption:.....50 mA max.

Output Signal:.....4-20 mA sourcing  
Output Drive at Capability:..550 ohms max. @ 24 Vac/dc

Relay Contacts:.....Form C contact (N.O. and N.C.)  
5 amps @ 250 Vac, 5 amps @ 30 Vdc

Relay Trip Point:.....25, 60 or 150 ppm, jumper selectable  
Relay Hysteresis:.....3% or 9 ppm

# HCMD5B1 Series of Carbon Monoxide Detector



## ORDERING

MODEL	Product Description
HCMD5B1	Carbon Monoxide Detector

CODE	Relay Output (Not available with Modbus)
000	No Relay
100	Form C, (NO & NC), 5 Amps @ 250Vac/30Vdc

CODE	Options
MOD	Modbus Communications

HCMD5B1	100	-
---------	-----	---

Clean Rooms | Pharma | Hospital | HVAC | BulkDrugs | Chemicals | Heavy Machinery  
Hydraulics & Vacuum Industry | Green House | Server Room | Confined Space | Cold Storage

## Instrukart Holdings

India Toll Free : 1800-121-0506 | Ph : +91 (40)40262020

Mob +91 7331110506 | Email : info@instrukart.com

#18, Street-1A, Czech Colony, Sanath Nagar, Hyderabad -500018, INDIA.

