

HYGROFLEX1



BENEFITS

- Rotronic Hygromer® IN-1 humidity sensor
- Accuracy wall and duct version $\pm 2\%$ RH (10...90 %RH)
- Adjustable at 35 %RH and 80 %RH

APPLICATIONS

- Heating, ventilation and air conditioning



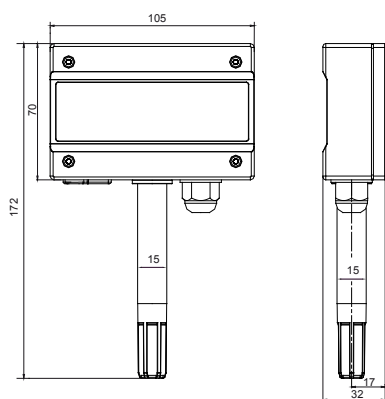
TECHNICAL INFORMATION

The HygroFlex1 series is the latest development in inexpensive HVAC transmitters for relative humidity and temperature. The devices are equipped with the tried-and-tested Rotronic Hygromer® IN-1 sensor and boast unbeatable value for money. The Rotronic SW21 software enables you to change the scale, calibrate the transmitter and adjust the humidity.

Dimensions

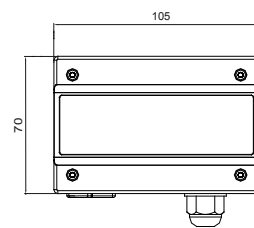
Wall version

Type W



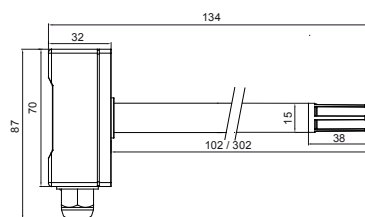
Duct version

Type D / Probe length 100 mm



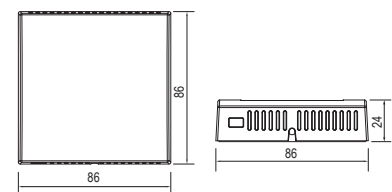
Duct version

Type F / Probe length 300 mm



Space mount version

Type S



TECHNICAL INFORMATION

General	
Transmitter type	2-wire type: HF120 3/4-wire type: HF13x
Supply voltage	12...28 VAC / 15...40 VDC
Current consumption	2-wire maximum 40 mA 3/4-wire with voltage output: <15 mA with current output: <55 mA
Parameters	Humidity and/or temperature
Housing material / IP	ABS / IP 65 (space mount version IP30)
Weight	Wall version type W: 140 g Duct version 100 mm type D: 140 g Duct version 300 mm type F: 200 g Space mount version type S: 90 g
Sensors integrated in device	Yes
Operating and measurement range	-20...50°C (type S), -20...60°C (type W, D, F) 0...100 %RH (non-condensing)
CE / EMC compatibility	2004/108/EC

Humidity measurement	
Humidity sensor	Rotronic Hygromer® IN-1
Accuracy type W & type D at 23 °C ± 5 K	± 2 %RH (10...90 %RH)
Accuracy type S at 23 °C ± 5 K	± 3 %RH (10...90 %RH)
Long-term stability	<1.5 %RH per year
Response time τ63	30 s (63 % of a rise 35...80 %RH) without filter
Temperature measurement	
Sensor	Thermistor
Standard temperature scale	0...50 °C or 0...100 °F
Precision at 23 °C ± 5 K	± 0.3 °C, type S ± 1 °C
Response time	4 s
Outputs	
Number	2 analog outputs freely scalable
Current	04...20 mA
Voltage	0...1/5/10 VDC

STANDARD VERSIONS

Wall version	Type	Output	Temperature scaling	Display
HF120-WB1XX1XX	2-wire	4...20 mA	0...50 °C	No
HF132-WB1XD1XX	3-wire	4...20 mA		Yes

Space mount version	Type	Output	Temperature scaling	Display
HF120-SB1XDXXX	2-wire	4...20 mA	0...50 °C	Yes
HF132-SB1XDXXX	3-wire	4...20 mA		Yes

Duct version: 100 mm probe	Type	Output	Temperature scaling	Display
HF132-DB1XX1XX	3-wire	4...20 mA	0...50 °C	No
HF135-DB1XX1XX		0...10 VDC		No
Duct version: 300 mm probe				
HF120-FB1XX1XX	2-wire	4...20 mA	0...50 °C	No

Clean Rooms | Pharma | Hospital | HVAC | BulkDrugs | Chemicals | Heavy Machinery
Hydraulics & Vacuum Industry | Green House | Server Room | Confined Space | Cold Storage

Instrukart Holdings

India Toll Free : 1800-121-0506 | Ph : +91 (40)40262020

Mob +91 7331110506 | Email : info@instrukart.com

#18, Street-1A, Czech Colony, Sanath Nagar, Hyderabad -500018, INDIA.

