

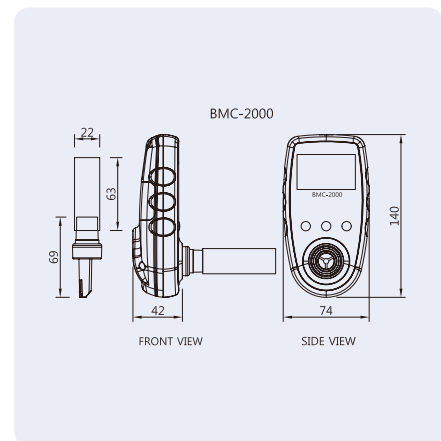
BMC-2000



EXPLICATION AND FEATURES

BMC-2000 can be used in smoking cessation programs by healthcare professionals. And it also can be used as a noninvasive method to get %COHb in the patient's blood and to screen CO poisoned patients by medical man. The small size and light weight make the BMC-2000 ideal for hand held use. It is mainly used in smoking cessation clinics; it is used for instructional purposes to check on the client's progress and compliance.

- Non-Invasive method to know how much carbon monoxide(CO) poisoned
- Indirect and simple instrument to measure carboxyhemoglobin(COHb)in blood
- Easy to discriminate smoker
- Easy to recognize the degree of CO poisoning (smoking habit)
- Two language (English, Korean) are provided
- CE certificate of European medical equipment
- Concentration of CO in breath and percentage of COHb in blood are displayed simultaneously
- Adult / Pregnant / Young mode are provided
- Manage analysis data through software



SPECIFICATION

Model	BMC-2000
Measuring gas	CO
Measuring type	Breath through the mouth
Measuring method	Electrochemical cell
Measuring range	0~100ppm, 0~500ppm
Countdown	15 seconds
Accuracy	±5%/Full scale or 1ppm
Hydrogen cross sensitivity	5~10% / Full scale
Resolution	1ppm
Parameter Control	Front 3 switch(calibration, maintenance, configuration setting)
Operation mode display	Visual : Graphic LCD Display, LED Indicator Audible : buzzer
Measuring value display	Graphic LCD Display
LED indicator	7 Steps (Green/Amber/Red)
Reset signal	Auto Power OFF
Mounting type	Pocket, Hand carry
User mode	Adult / Adolescent
Program set mode	Language(Korean, English), Age, Sound, Calibration
Operating temperature	0°C ~ +40°C
Operating humidity	5 to 95%RH(Non-condensing)
Mouthpiece adapter	D type bacteria filter
Disposable mouthpiece	Diameter 22mm
Material	PC+ABS
LCD size	50(W) × 30(H)mm
Dimensions	74(W) × 140(H) × 42(D)mm
Weight	160g