

PRELIMINARY DATASHEET



Features:

- Single Display, 3 digit, 7 segment LED
- TC / RTD Inputs
- PID, ON/OFF Control
- Auto Tuning / Self Tuning
- Single Setpoint
- °C / °F Selectable
- Field selectable Control Output (Relay or SSR)
- Easy to use

Size: 48mm x 48mm

Technical Specifications

Display

Digits	3 digit 7 Segment LED, Single display Height of Display 0.3785"
LED Indications	Control output ON

Input Specifications

Inputs	Thermocouple (J,K,T,R,S) / RTD (Pt100)
Sampling time	250 ms
Input Filter (FTC)	0.2 to 10.0 sec
Resolution	Fixed 1°
Temperature Unit	°C / °F selectable
Indication Accuracy	For J, K & T inputs: 0.25% of F.S. ±1° For R & S inputs: 0.5% of F.S. ±2° (20 min of warm up time for TC inputs) For RTD inputs: 0.1% of F.S. ±1° (F.S. = Full Scale)

Output Specifications

Contact Rating (SPDT)	10A @ 250V AC / 30V DC, resistive
SSR Drive (Voltage Pulse)	12V DC, 50mA

Functional Specifications:

Control Action	1) PID 2) ON-OFF
Proportional Band (P)	1 to 400°
Integral Time (I)	0.0 to 99.9 min
Derivative Time (D)	0 to 200 sec
Cycle Time	0.1 to 99.9 sec
Hysteresis Width	0.1 to 99.9°
Manual Reset Value	-19.9 to 19.9°

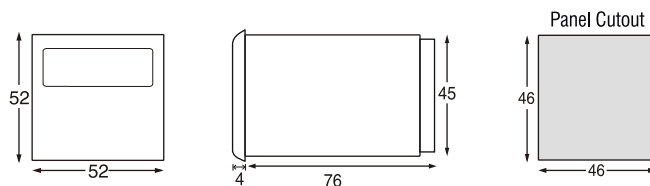
Supply Voltage

Supply Voltage	85 to 270V AC/DC (50 / 60Hz)
Power Consumption	5VA max @230V AC

Environmental Specifications

Temperature	Operating: 0 to 50°C (32 to 122°F) Storage: -20 to 75°C (-4 to 167°F)
Humidity (non-condensing)	95% RH
Weight	111 gms
Protection Level	IP65 for faceplate

Dimensions



All dimensions are in mm

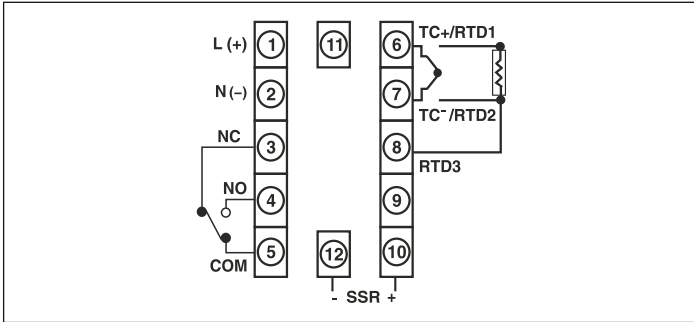
Mounting Accessories (Supplied with units)

For 48 X 48 Collar clamp	ACL4802
--------------------------	---------

Input Sensor Ranges

Sensor type	Resolution	Ranges
		1
Pt100	°C	-150 to 850
	°F	-199 to 999
J	°C	-199 to 750
	°F	-199 to 999
K	°C	-199 to 999
	°F	-199 to 999
T	°C	-199 to 400
	°F	-199 to 750
R & S	°C	0 to 999
	°F	32 to 999

Terminal Connections



Ordering Information

Part No.	Output		Supply Voltage
TC513BX	Relay	12V DC SSR	85 - 270V AC/DC

Accessories (Optional)

Standard SELEC accessories that can be used with this product.

Adapter plate

- 1) AP7248 : Plastic adapter plate, used to mount 1/16 DIN (cutout size 48 x 48) Instrument into existing (72 x 72) cutout size.
- 2) AP9648 : Plastic adapter plate, used to mount 1/16 DIN (cutout size 48 x 48) Instrument into existing (96 x 96) cutout size.
- 3) AP4896-4848-G-C : Plastic adapter plate, used to mount 1/16 DIN (cutout size 48 x 48) Instrument into existing (48 x 96) cutout size.